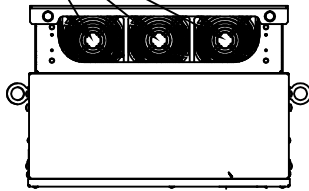
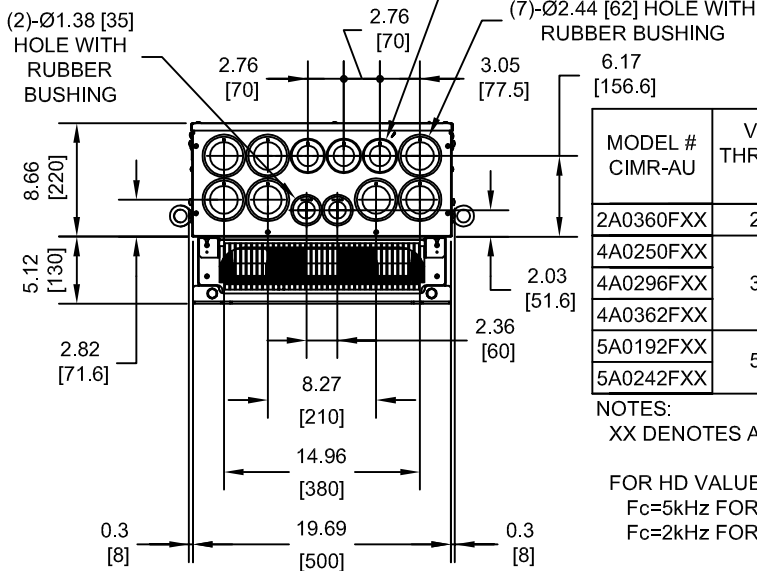
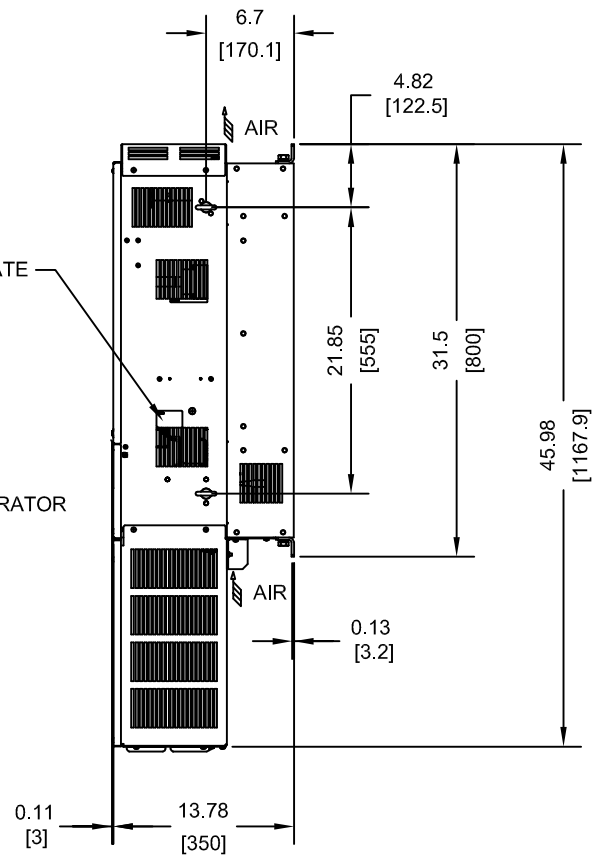
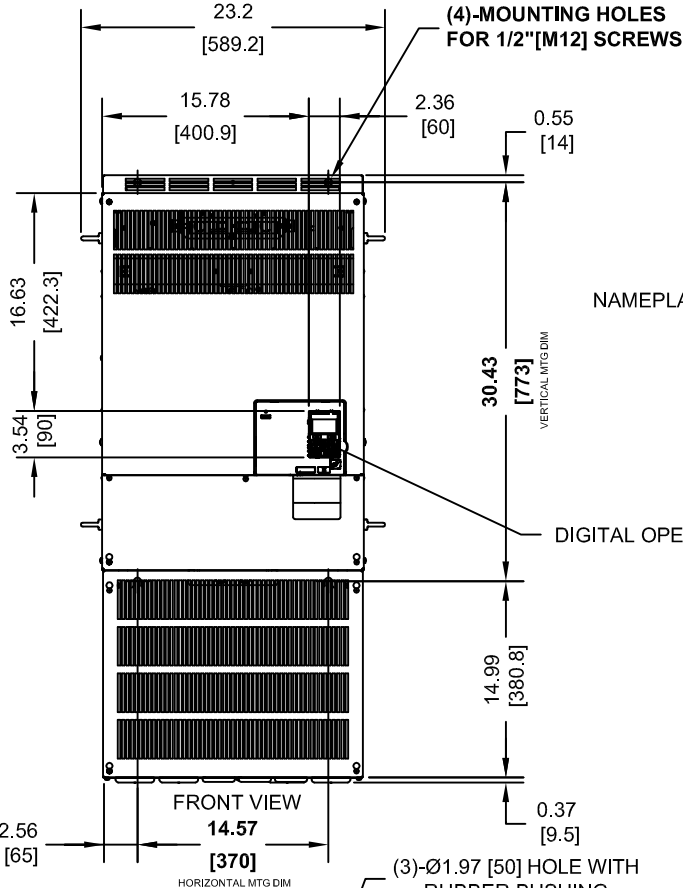
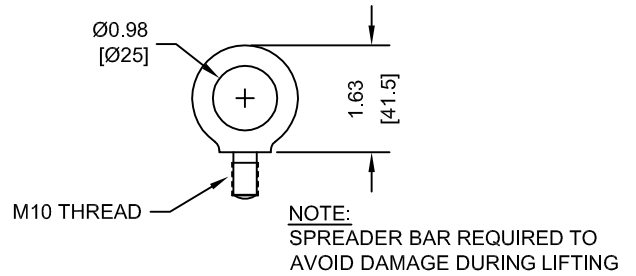


(3) EXTERNAL COOLING FANS



LIFTING AND EYEBOLT DETAILS



MODEL # CIMR-AU	VOLTAGE THREE-PHASE (VAC)	OUTPUT CURRENT (A)		WEIGHT LBS (Kg)	HEAT LOSS (W)					
		ND	HD		ND (Fc=2kHz)			HD (Fc=SEE NOTE)		
					INT	EXT	TOT	INT	EXT	TOT
2A0360FXX	200/240	360	346	238 (108)	894	2698	3592	783	2564	3347
4A0250FXX	380/480	250	216	233 (106)	803	2379	3182	715	2360	3075
4A0296FXX		296	260	246 (112)	905	2448	3353	787	2391	3178
4A0362FXX		362	304	257 (117)	1130	3168	4298	985	3075	4060
5A0192FXX	500/600	192	172	233 (106)	769	2420	3189	648	2114	2762
5A0242FXX		242	200	257 (117)	1131	3100	4231	896	2526	3422

NOTES:  
XX DENOTES AA-ZZ

INT=INTERNAL COMPONENTS  
EXT=EXTERNAL HEATSINK  
TOT=TOTAL

FOR HD VALUES, CARRIER FREQ. IS SET TO:  
Fc=5kHz FOR MODELS 2A0360, 4A0250 AND 4A0296  
Fc=2kHz FOR MODEL 4A0362, 5A0192 AND 5A0242

FOR ADDITIONAL DETAILS AND SPECIFICATIONS, CONSULT MANUAL

TOLERANCES / REFERENCES:



THIS DOCUMENT AND INFORMATION CONTAINED IN IT ARE CONFIDENTIAL, AND CANNOT BE COPIED OR DISCLOSED IN WHOLE OR IN PART WITHOUT THE EXPRESS WRITTEN CONSENT OF YASKAWA AMERICA, INC.

DRAWN: J. MATTAS

CHECKED: J. PIOTROWSKI

TECH: J. CAIRO

APPROVED: T. SASADA

ORIGINAL DESIGN: -

DATE: 11-4-10

DATE: 12-10-10

DATE: 12-14-10

DATE: 12-17-10

DATE: -

TITLE:

A1000 DIMENSION DRAWING  
FRAME SIZE 12A  
NEMA TYPE 1 ENCLOSURE  
2A0360, 4A0250 - 0362, 5A0192 - 0242

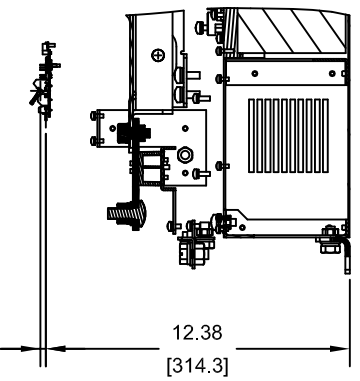
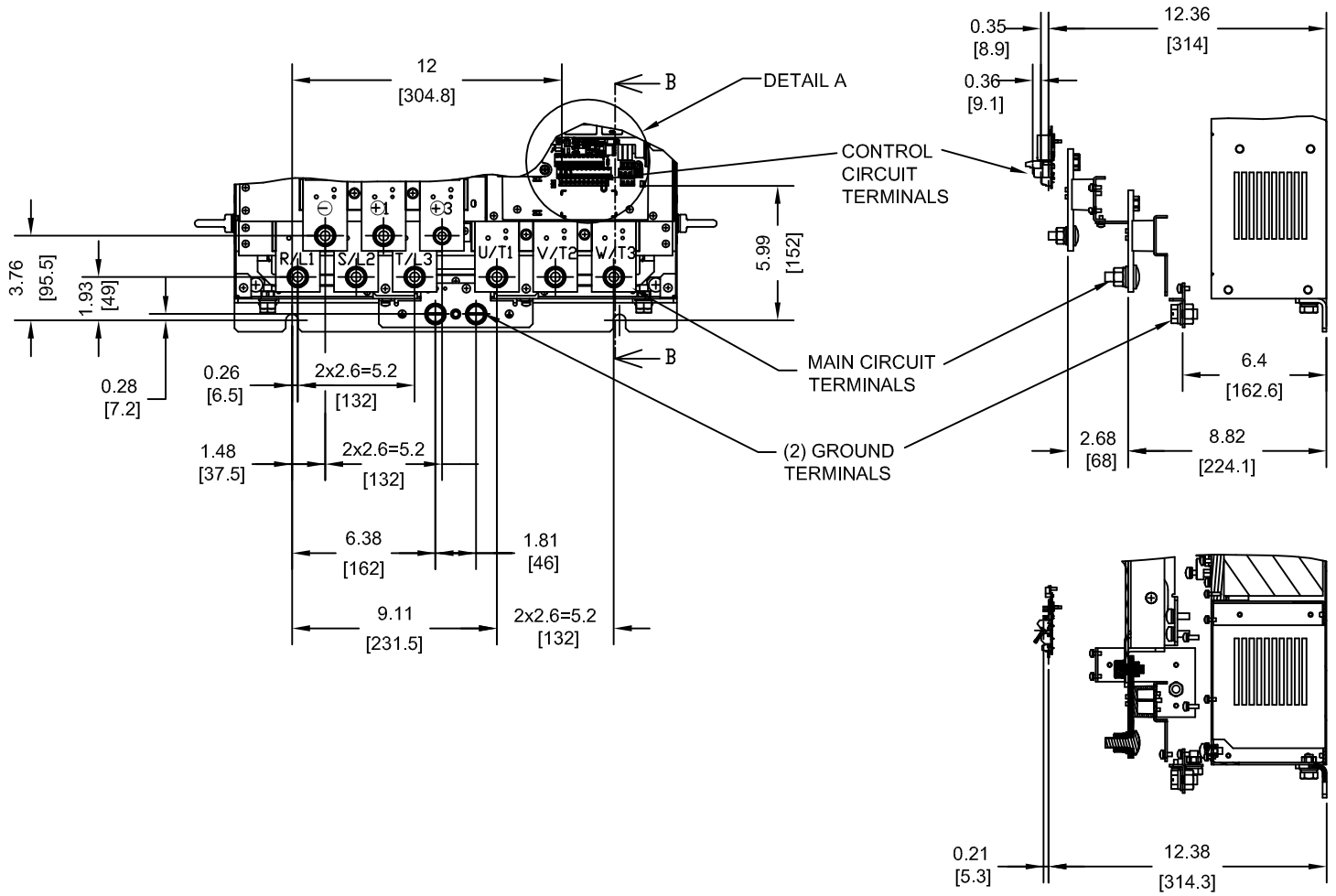
SIZE: A REVISION: R00 PAGE: 1 of 4

DRAWING #: DD.A1K.FR12A.N1

UNITS: IN [mm]

SCALE: 1:15

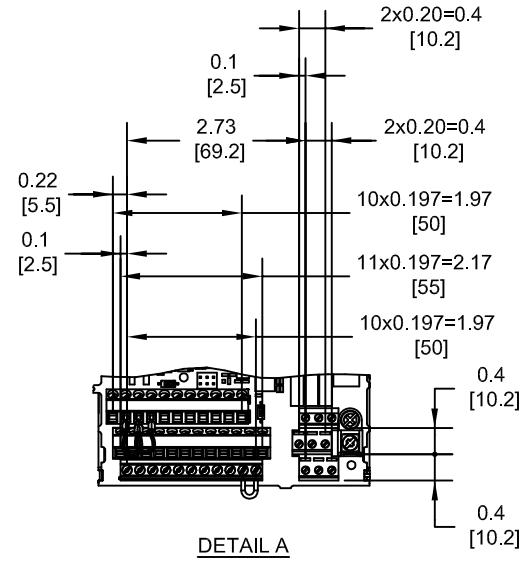
TERMINAL AND WIRING DETAILS (SCALE 1:8)  
 AU2A0360, AU4A0296, AU4A0362, AU5A0192 & AU5A0242 ONLY



TERMINAL AND WIRE SPECIFICATIONS FOR  
 MAIN CIRCUIT AND GROUND

MODEL # CIMR-AU	TERMINAL SYMBOL	TERMINAL SCREW	CLAMPING TORQUE lb.in.(N.m.)
2A0360	R/L1, S/L2, T/L3	M12	283.2 TO 354.0 (32 TO 40)
4A0296	U/T1, V/T2, W/T3		
4A0362	⊖, ⊕1	M10	159.3 TO 203.6 (18 TO 23)
5A0192	⊕3		
5A0242	⊕	M12	283.2 TO 354.0 (32 TO 40)

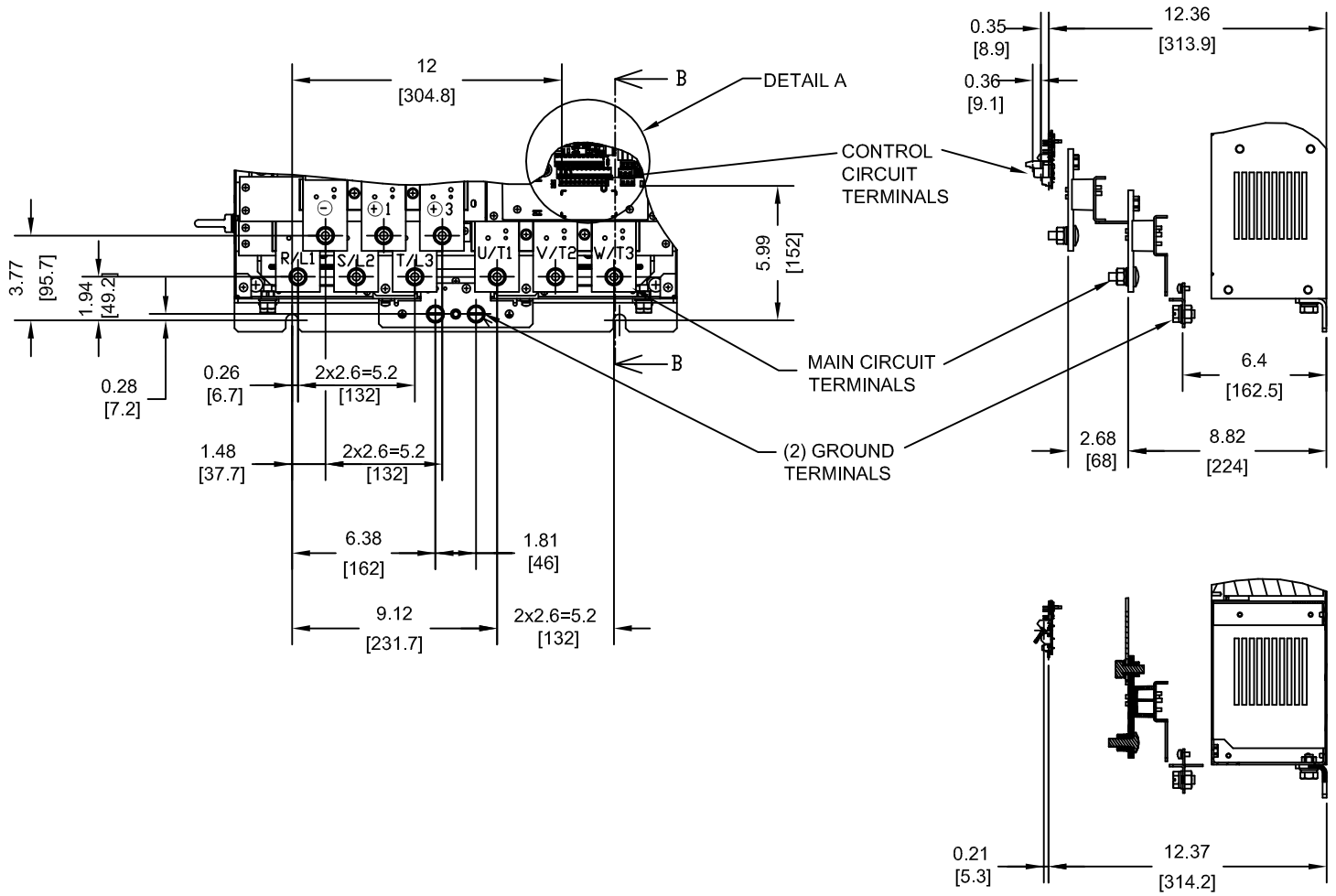
NOTE: REFER TO APPLICABLE CODES FOR PROPER WIRE TYPE AND SIZE



FOR ADDITIONAL DETAILS AND SPECIFICATIONS, CONSULT MANUAL

TOLERANCES / REFERENCES:			DRAWN: J. MATTAS DATE: 11-4-10	TITLE: A1000 DIMENSION DRAWING FRAME SIZE 12A NEMA TYPE 1 ENCLOSURE 2A0360, 4A0250 - 0362, 5A0192 - 0242
UNITS: IN [mm]	SCALE: BY VIEW		CHECKED: J. PIOTROWSKI DATE: 12-10-10	DATE: 12-10-10
THIS DOCUMENT AND INFORMATION CONTAINED IN IT ARE CONFIDENTIAL, AND CANNOT BE COPIED OR DISCLOSED IN WHOLE OR IN PART WITHOUT THE EXPRESS WRITTEN CONSENT OF YASKAWA AMERICA, INC.		TECH: J. CAIRO DATE: 12-14-10	DATE: 12-17-10	SIZE: A
		APPROVED: T. SASADA DATE: 12-17-10	ORIGINAL DESIGN: -	REVISION R00
		DRAWING #: DD.A1K.FR12A.N1		PAGE 2 of 4

TERMINAL AND WIRING DETAILS (SCALE 1:8)  
AU4A0250 ONLY

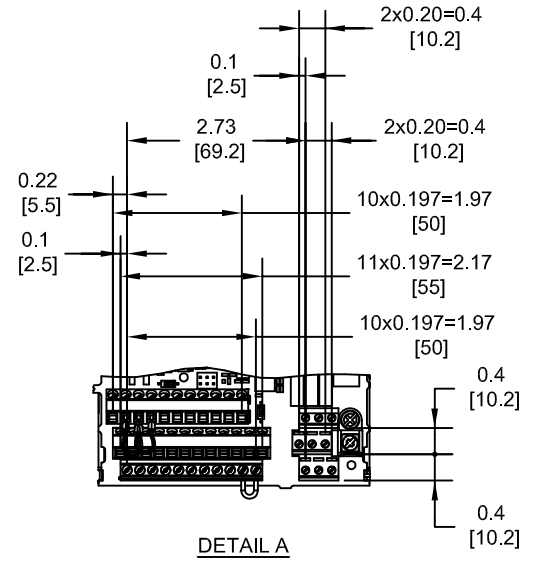


SECTION B-B

TERMINAL AND WIRE SPECIFICATIONS FOR  
 MAIN CIRCUIT AND GROUND

MODEL # CIMR-AU	TERMINAL SYMBOL	TERMINAL SCREW	CLAMPING TORQUE lb.in.(N.m.)
4A0250	R/L1, S/L2, T/L3	M10	159.3 TO 203.6 (18 TO 23)
	U/T1, V/T2, W/T3		
	⊖, ⊕1		
	⊕3	M10	
	⊕	M10	

NOTE: REFER TO APPLICABLE CODES FOR PROPER WIRE TYPE AND SIZE

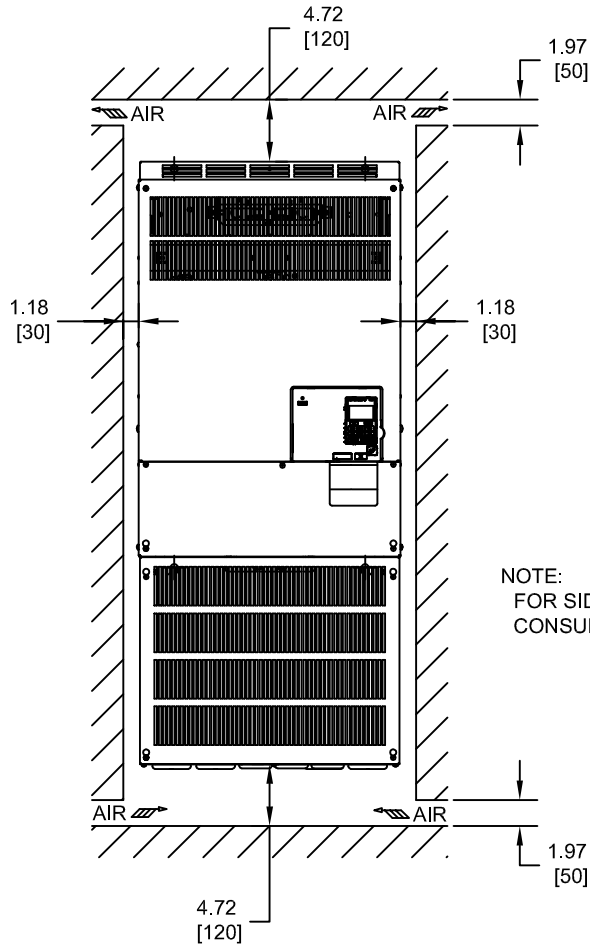


DETAIL A

FOR ADDITIONAL DETAILS AND SPECIFICATIONS, CONSULT MANUAL

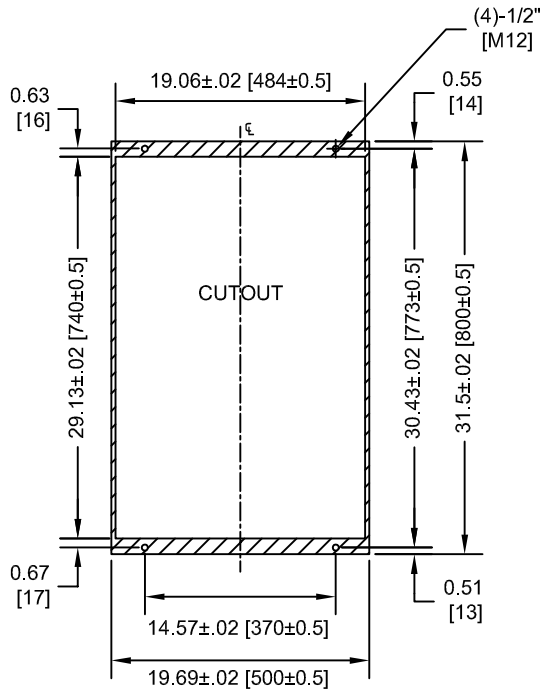
TOLERANCES / REFERENCES:			DRAWN: J. MATTAS 11-4-10	DATE: 11-4-10	TITLE: A1000 DIMENSION DRAWING FRAME SIZE 12A NEMA TYPE 1 ENCLOSURE 2A0360, 4A0250 - 0362, 5A0192 - 0242	
UNITS: IN [mm]	SCALE: BY VIEW		CHECKED: J. PIOTROWSKI 12-10-10	DATE: 12-10-10		SIZE: A
THIS DOCUMENT AND INFORMATION CONTAINED IN IT ARE CONFIDENTIAL, AND CANNOT BE COPIED OR DISCLOSED IN WHOLE OR IN PART WITHOUT THE EXPRESS WRITTEN CONSENT OF YASKAWA AMERICA, INC.		TECH: J. CAIRO 12-14-10	DATE: 12-14-10	APPROVED: T. SASADA 12-17-10	DATE: 12-17-10	DRAWING #: DD.A1K.FR12A.N1
		ORIGINAL DESIGN: -	DATE: -			

MINIMUM INSTALLATION CLEARANCES (SCALE 1:15)



NOTE:  
FOR SIDE-BY-SIDE MOUNTING  
CONSULT MANUAL

PANEL CUTOUT FOR EXTERNAL HEATSINK MOUNTING CONFIGURATION (SCALE 1:15)



NOTE:  
EXPOSED HEATSINK DEPTH  
D=5.12" MINUS PANEL THICKNESS

FOR ADDITIONAL DETAILS AND SPECIFICATIONS, CONSULT MANUAL

TOLERANCES / REFERENCES:			DRAWN: J. MATTAS	DATE: 11-4-10	TITLE: A1000 DIMENSION DRAWING FRAME SIZE 12A NEMA TYPE 1 ENCLOSURE 2A0360, 4A0250 - 0362, 5A0192 - 0242
			CHECKED: J. PIOTROWSKI	DATE: 12-10-10	
		THIS DOCUMENT AND INFORMATION CONTAINED IN IT ARE CONFIDENTIAL, AND CANNOT BE COPIED OR DISCLOSED IN WHOLE OR IN PART WITHOUT THE EXPRESS WRITTEN CONSENT OF YASKAWA AMERICA, INC.	TECH: J. CAIRO	DATE: 12-14-10	SIZE: A
UNITS: IN [mm]	SCALE: BY VIEW		APPROVED: T. SASADA	DATE: 12-17-10	REVISION: R00
		ORIGINAL DESIGN: -	DATE: -	DRAWING #: <b>DD.A1K.FR12A.N1</b>	